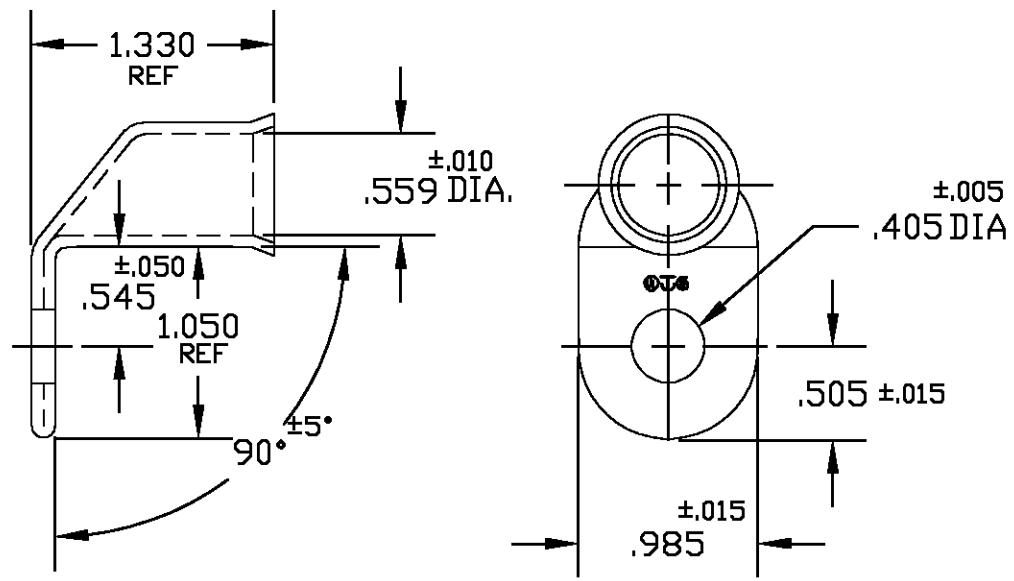


THIS DRAWING IS UNPUBLISHED. RELEASED FOR PUBLICATION  
 © COPYRIGHT BY TYCO ELECTRONICS CORPORATION. ALL RIGHTS RESERVED.

LOC	DIST	REVISIONS					
		P	LTR	DESCRIPTION	DATE	DWN	APVD
G	50		A	REV PER 0G61-0007-03	23JAN03	JR	MS



ACTIVE	40381-09-90	STANDARD	TIN PLATE	1526849-2
ACTIVE	40381-08-90	STANDARD	PLAIN	1526849-1
STATUS	AET P/N	PACKAGING	FINISH	PART NUMBER

THIS DRAWING IS A CONTROLLED DOCUMENT.		DWN D.A.A	11/2/00	Tyco Electronics Corporation Harrisburg, PA 17105-3608	
DIMENSIONS: INCHES		CHK H.D.F	11/2/00		
		APVD H.D.F	11/2/00	NAME 4/0A STANDARD TERMINAL AND BENT 90	
MATERIAL COPPER ASTM B-152		FINISH -		PRODUCT SPEC -	APPLICATION SPEC -
TOLERANCES UNLESS OTHERWISE SPECIFIED:		WEIGHT -		SIZE A3	CAGE CODE 00779
0 PLC	± -	CUSTOMER DRAWING		DRAWING NO 1526849	RESTRICTED TO -
1 PLC	± -	SCALE 1:1		SHEET 1 OF 1	REV A
2 PLC	± -				
3 PLC	± -				
4 PLC	± -				
ANGLES	± -				